

## Solar Panel - Monocrystalline Specifications

Model	MG-PV-035M2	MG-PV-075M2	MG-PV-100M2
Cell Type	Mono	Mono	Mono
Maximum Power (Pmax)	35 W	75 W	100 W
Open Circuit Voltage (Voc)	21.6 V	21.6 V	21.3 V
Short Circuit Current (Isc)	2.80 A	4.62 A	6.07 A
Rated Voltage (Vmp)	17.5 V	17.5 V	17.8 V
Rated Current (Imp)	2.00 A	4.28 A	5.62 A
Maximum System Voltage	DC 600 V	DC 600 V	DC 1000 V
Voltage Temperature Efficiency	-0.33%/°C	-0.33%/°C	-0.33%/°C
Current Temperature Efficiency	+0.05%/°C	+0.05%/°C	+0.05%/°C
Power Temperature Efficiency	-0.23%/°C	-0.23%/°C	-0.23%/°C
Series Fuse	15 A	15 A	15 A
Fire Rating	Class C	Class C	Class C
Max Load	45 lb/ft <sup>2</sup>	45 lb/ft <sup>2</sup>	45 lb/ft <sup>2</sup>
Operating Temperature	-40 to +85°C	-40 to +85°C	-40 to +85°C
Dimension (mm)	720x345x25	765 x 666 x 35	1150x535x35
Weight (kg)	3.5	6.5	7.2
Connector	MC4	MC4	MC4

### Warranty:

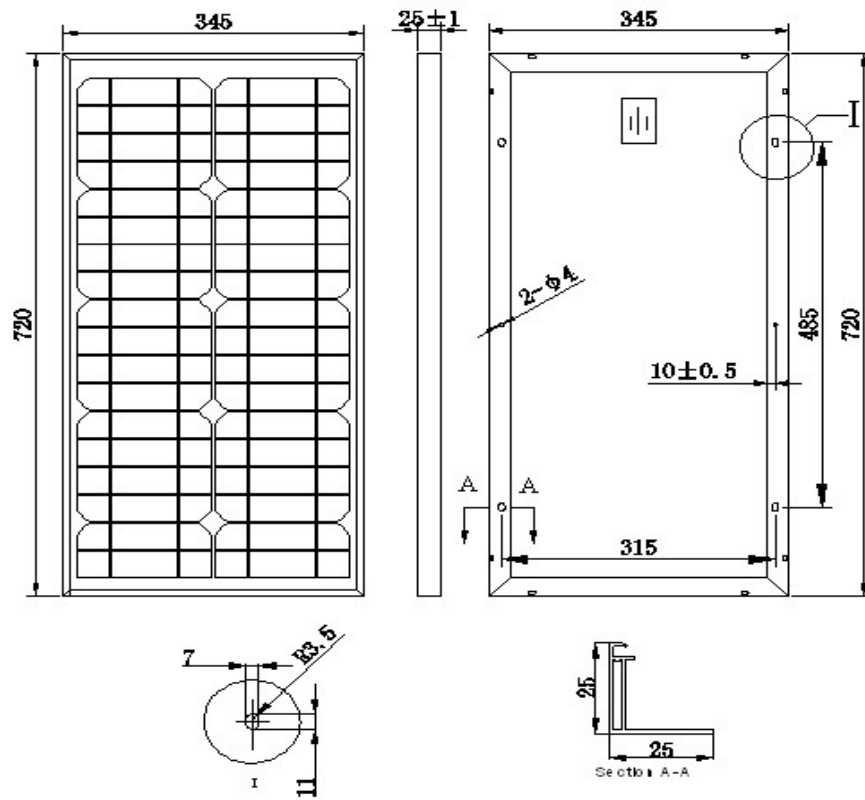
- Free from defects in materials and workmanship for 5 years
- 90% power output over 10 years, 80% power output over 20 years

Parameters are rated at Standard Test Conditions (Irradiance of 1000 W/m<sup>2</sup>, AM 1.5G, cell temperature 25°C). NOCT is measured at 800 W/m<sup>2</sup>, 20 °C ambient, and 1 m/s windspeed. Specifications are subject to change without notice. Microgreen reserves right of final interpretation and revision on this datasheet.

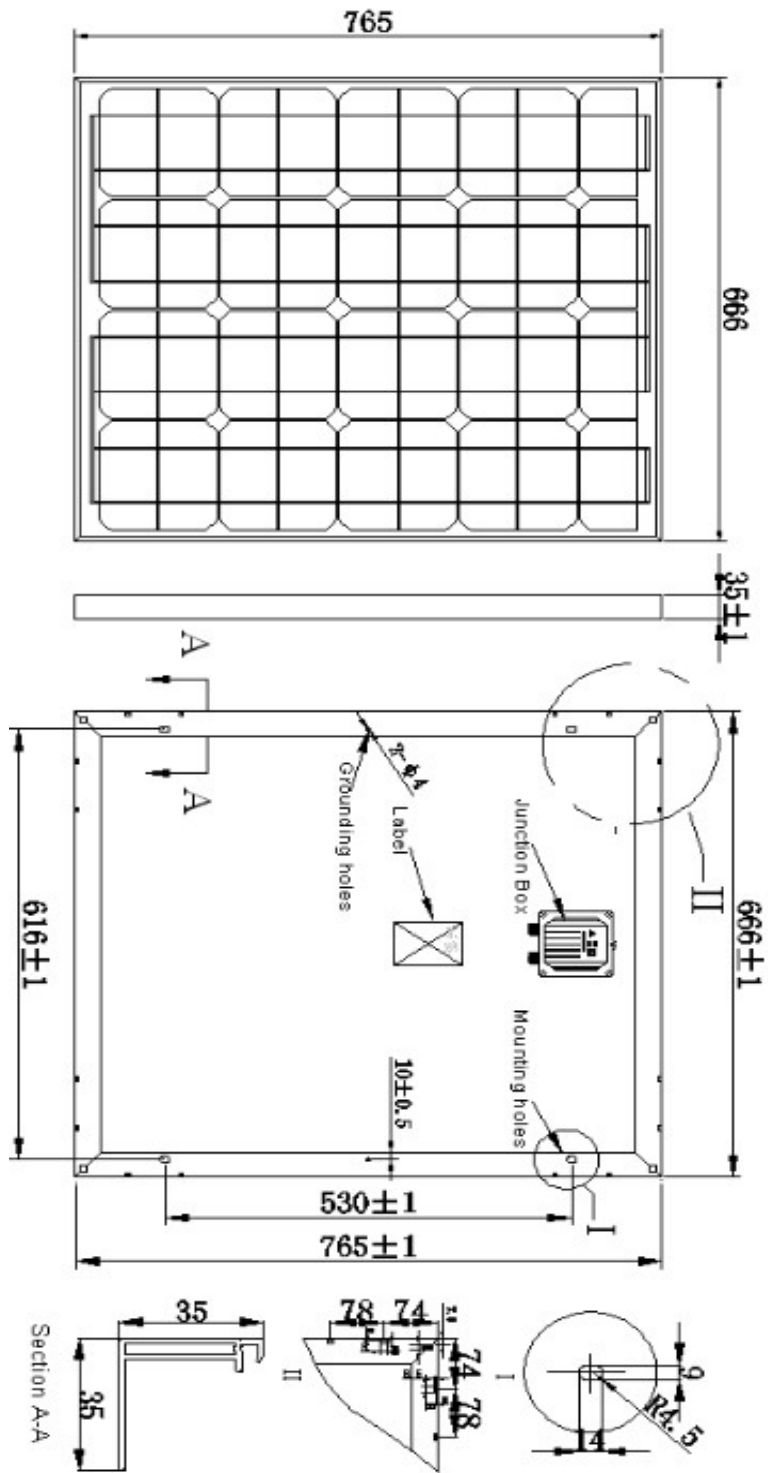


**RoHS**

MG-PV-035M2



MG-PV-075M2



MG-PV-100M2

